



STAINLESS STEEL WORKTABLES

TF2-SERIES — WORKTABLE W/ BACKSPLASH & UNDERSHELF

PROJECT#: _____

ITEM# _____

MODEL# _____

SPECIFICATIONS:

ECONOMY — ETF2-Series: 400 Series Stainless Top & 400 Series Stainless Undershelf

TOP: 16 GA.
400 Series Stainless

SHELF: 18 GA.
400 Series Stainless

LEGS: 1 5/8" Diameter
Tubular Stainless Steel

REINFORCING: Formed Channel Fastened to
Top. Legs Welded to Channel

STANDARD — STF2-Series: 300 Series Stainless Top & 300 Series Stainless Undershelf

TOP: 16 GA.
300 Series Stainless

SHELF: 18 GA.
300 Series Stainless

LEGS: 1 5/8" Diameter
Tubular Stainless Steel

REINFORCING: Formed Channel Fastened to
Top. Legs Welded to Channel

HEAVY DUTY — HTF2-Series: 300 Series Stainless Top & 300 Series Stainless Undershelf

TOP: 14 GA.
300 Series Stainless

SHELF: 16 GA.
300 Series Stainless

LEGS: 1 5/8" Diameter
Tubular Stainless Steel

REINFORCING: Formed Channel Fastened to
Top. Legs Welded to Channel

CONSTRUCTION:

- ◆ All Table Connection Points Fully Welded for Maximum Rigidity and Long Life
- ◆ S/S Adjustable Bullet Feet
- ◆ Sound Deadening Between Top and Reinforcing Channel
- ◆ S/S Undershelf Welded to Legs
- ◆ Table is Polished to #3 Finish
- ◆ Working Height 35" to 36 1/4"



○ Amtekco Industries - Columbus, OH —Phone: (800) 336-4677

○ N. Wasserstrom & Sons - Columbus, OH —Phone: (800) 444-4697

○ DCS IV - Peoria, AZ —Phone: (800) 592-3274

○ GEN III - Fountain Inn, SC —Phone: (800)673-3339

○ GKS - Garland, TX —Phone (972) 485-4579

SPECIFICATIONS SUBJECT TO CHANGE WITHOUT NOTICE 01/09

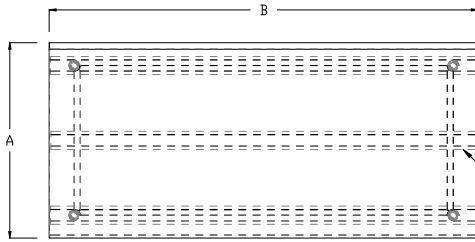
ECONOMY - ETF2 - SERIES						
24" WIDE	QTY	30" WIDE	QTY	36" WIDE	QTY	LENGTH (INCHES)
ETF2-2424		ETF2-3024		ETF2-3624		24
ETF2-2430		ETF2-3030		ETF2-3630		30
ETF2-2436		ETF2-3036		ETF2-3636		36
ETF2-2442		ETF2-3042		ETF2-3642		42
ETF2-2448		ETF2-3048		ETF2-3648		48
ETF2-2454		ETF2-3054		ETF2-3654		54
ETF2-2460		ETF2-3060		ETF2-3660		60
ETF2-2466		ETF2-3066		ETF2-3666		66
ETF2-2472		ETF2-3072		ETF2-3672		72
ETF2-2478		ETF2-3078		ETF2-3678		78
ETF2-2484		ETF2-3084		ETF2-3684		84
ETF2-2490		ETF2-3090		ETF2-3690		90
ETF2-2496		ETF2-3096		ETF2-3696		96
ETF2-24102		ETF2-30102		ETF2-36102		102
ETF2-24108		ETF2-30108		ETF2-36108		108
ETF2-24114		ETF2-30114		ETF2-36114		114
ETF2-24120		ETF2-30120		ETF2-36120		120
STANDARD - STF2 - SERIES						
24" WIDE	QTY	30" WIDE	QTY	36" WIDE	QTY	LENGTH (INCHES)
STF2-2424		STF2-3024		STF2-3624		24
STF2-2430		STF2-3030		STF2-3630		30
STF2-2436		STF2-3036		STF2-3636		36
STF2-2442		STF2-3042		STF2-3642		42
STF2-2448		STF2-3048		STF2-3648		48
STF2-2454		STF2-3054		STF2-3654		54
STF2-2460		STF2-3060		STF2-3660		60
STF2-2466		STF2-3066		STF2-3666		66
STF2-2472		STF2-3072		STF2-3672		72
STF2-2478		STF2-3078		STF2-3678		78
STF2-2484		STF2-3084		STF2-3684		84
STF2-2490		STF2-3090		STF2-3690		90
STF2-2496		STF2-3096		STF2-3696		96
STF2-24102		STF2-30102		STF2-36102		102
STF2-24108		STF2-30108		STF2-36108		108
STF2-24114		STF2-30114		STF2-36114		114
STF2-24120		STF2-30120		STF2-36120		120
HEAVY DUTY - HTF2 - SERIES						
24" WIDE	QTY	30" WIDE	QTY	36" WIDE	QTY	LENGTH (INCHES)
HTF2-2424		HTF2-3024		HTF2-3624		24
HTF2-2430		HTF2-3030		HTF2-3630		30
HTF2-2436		HTF2-3036		HTF2-3636		36
HTF2-2442		HTF2-3042		HTF2-3642		42
HTF2-2448		HTF2-3048		HTF2-3648		48
HTF2-2454		HTF2-3054		HTF2-3654		54
HTF2-2460		HTF2-3060		HTF2-3660		60
HTF2-2466		HTF2-3066		HTF2-3666		66
HTF2-2472		HTF2-3072		HTF2-3672		72
HTF2-2478		HTF2-3078		HTF2-3678		78
HTF2-2484		HTF2-3084		HTF2-3684		84
HTF2-2490		HTF2-3090		HTF2-3690		90
HTF2-2496		HTF2-3096		HTF2-3696		96
HTF2-24102		HTF2-30102		HTF2-36102		102
HTF2-24108		HTF2-30108		HTF2-36108		108
HTF2-24114		HTF2-30114		HTF2-36114		114
HTF2-24120		HTF2-30120		HTF2-36120		120

STAINLESS STEEL WORKTABLES TF2-SERIES — WORKTABLE W/ BACKSPLASH & UNDERSHELF

PROJECT#: _____

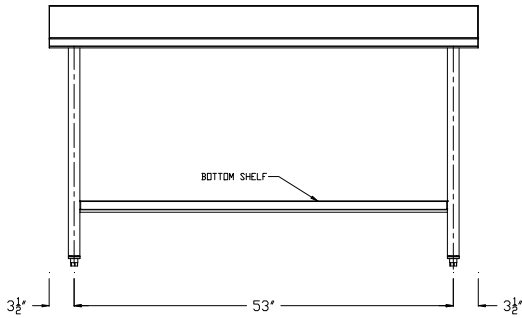
ITEM# _____

MODEL# _____

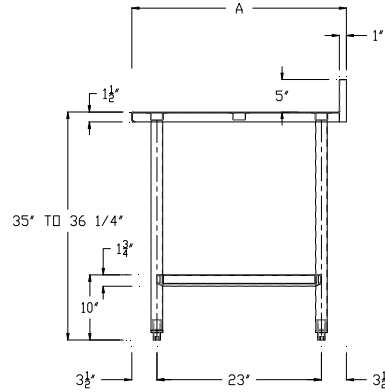


THIRD REINFORCING CHANNEL APPLIED ON TABLES 30" OR WIDER

PLAN VIEW



ELEVATION



SIDE VIEW



- ◆ 35" Working Height is with Adj. Bullet Feet in Shortest Position
- ◆ Tables At or Above 78" Will Require (3) Sets of Legs.

A WIDTH	B LENGTH	ETF2 - SERIES 16 GA. 400 SERIES S/S TOP & 18 GA. 400 SERIES S/S UNDERSHELF	STF2 - SERIES 16 GA. 300 SERIES S/S TOP & 18 GA. 300 SERIES S/S UNDERSHELF	HTF2 - SERIES 14 GA. 300 SERIES S/S TOP & 16 GA. 300 SERIES S/S UNDERSHELF	#Of Legs	Product Weight (lbs)
24" WIDE						
24	24	ETF2-2424	STF2-2424	HTF2-2424	4	42
24	30	ETF2-2430	STF2-2430	HTF2-2430	4	45
24	36	ETF2-2436	STF2-2436	HTF2-2436	4	50
24	48	ETF2-2448	STF2-2448	HTF2-2448	4	61
24	60	ETF2-2460	STF2-2460	HTF2-2460	4	71
24	72	ETF2-2472	STF2-2472	HTF2-2472	4	82
24	84	ETF2-2484	STF2-2484	HTF2-2484	6	94
24	96	ETF2-2496	STF2-2496	HTF2-2496	6	114
24	108	ETF2-24108	STF2-24108	HTF2-24108	6	131
24	120	ETF2-24120	STF2-24120	HTF2-24120	6	148
30" WIDE						
30	24	ETF2-3024	STF2-3024	HTF2-3024	4	45
30	30	ETF2-3030	STF2-3030	HTF2-3030	4	49
30	36	ETF2-3036	STF2-3036	HTF2-3036	4	52
30	48	ETF2-3048	STF2-3048	HTF2-3048	4	68
30	60	ETF2-3060	STF2-3060	HTF2-3060	4	79
30	72	ETF2-3072	STF2-3072	HTF2-3072	4	92
30	84	ETF2-3084	STF2-3084	HTF2-3084	6	105
30	96	ETF2-3096	STF2-3096	HTF2-3096	6	126
30	108	ETF2-30108	STF2-30108	HTF2-30108	6	146
30	120	ETF2-30120	STF2-30120	HTF2-30120	6	165
36" WIDE						
36	24	ETF2-3624	STF2-3624	HTF2-3624	4	47
36	30	ETF2-3630	STF2-3630	HTF2-3630	4	55
36	36	ETF2-3636	STF2-3636	HTF2-3636	4	64
36	48	ETF2-3648	STF2-3648	HTF2-3648	4	75
36	60	ETF2-3660	STF2-3660	HTF2-3660	4	88
36	72	ETF2-3672	STF2-3672	HTF2-3672	4	104
36	84	ETF2-3684	STF2-3684	HTF2-3684	6	120
36	96	ETF2-3696	STF2-3696	HTF2-3696	6	139
36	108	ETF2-36108	STF2-36108	HTF2-36108	6	164
36	120	ETF2-36120	STF2-36120	HTF2-36120	6	188